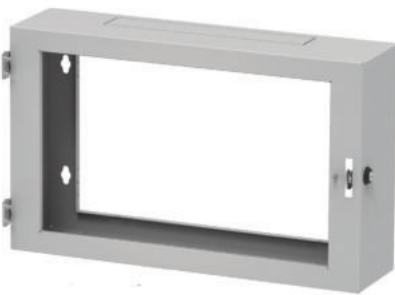




Single or two-part wall housings with removable side walls

- Developed for interiors.
- Available in two depths (450 and 600 mm) and six usable heights (from 6U to 21U).
- The 450 mm deep cabinet can be equipped with an additional frame, which with two or three hinges and a lock is attached to the back wall. This creates a doublepart housing with a depth of 600 mm.
- The design of the cabinet is based on a welded body, a glazed front door and two removable side walls.
- The housing is equipped with two adjustable 19" assembly angles with depth regulation.
- Upper and underside have cable openings that with knock-out blanking panels and ventilation grids with holes for the fan assembly are provided.
- Door and side parts can be installed without tools.
- It is possible to change the door opening direction and the opening of the additional rear frame.
- Frame, doors and side walls are equipped with ground points.
- The closet is without back wall.



Technical Data:

Type of protection
IP 20 according to EN 60529 (when the closet is mounted on the solid stone wall).

Maximum load capacity
60 kg for Z-Cube 600 and Z-Cube 450 one-piece cabinets,
30 kg for Z-Cube 450+150 double profile cabinet.

Material:

Steel sheet, clear mineral safety glass.

Surface finishing

Body, side parts, side elements of the glazed door - powder coil, light gray (RAL 7035) or black (RAL 9005).

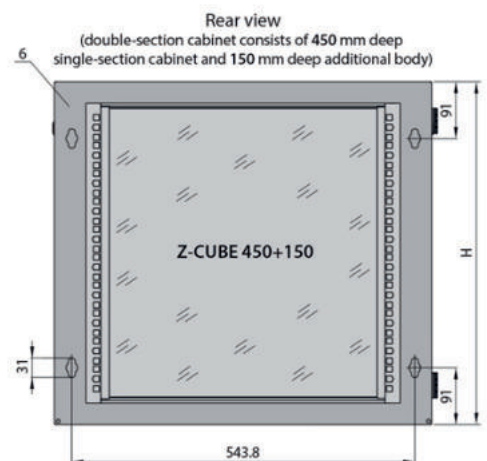
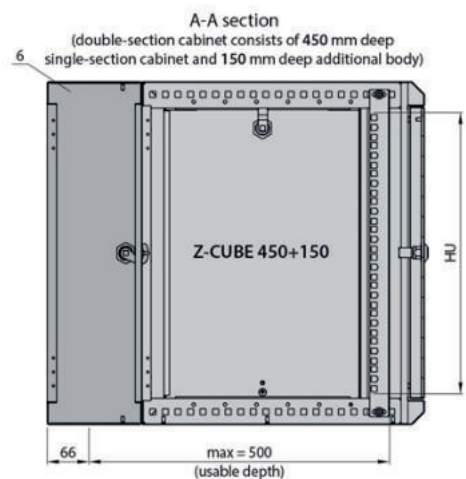
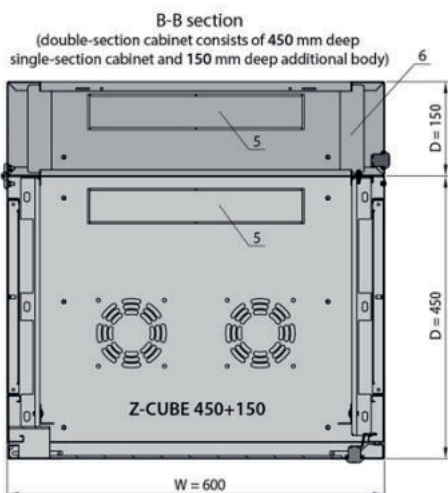
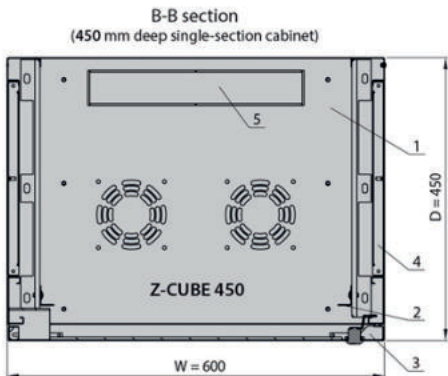
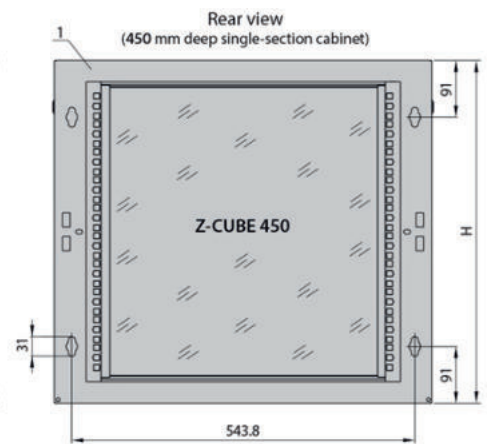
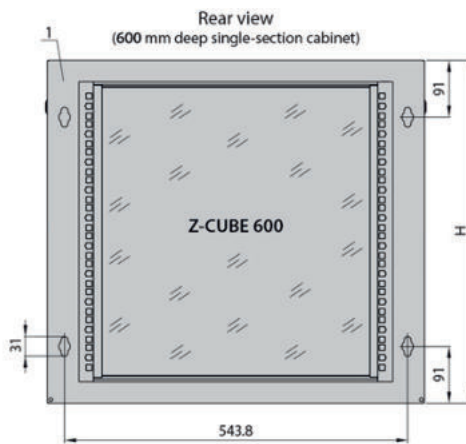
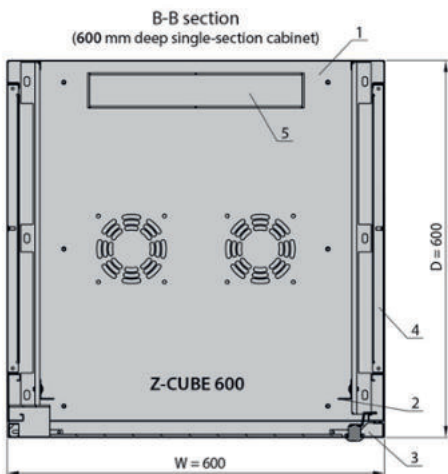
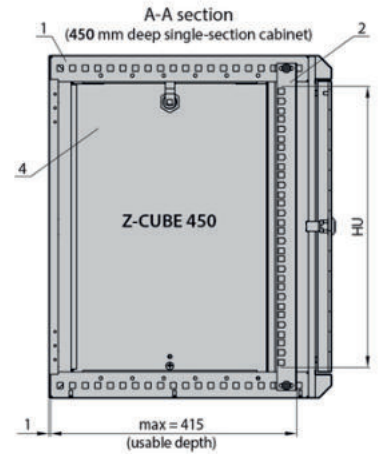
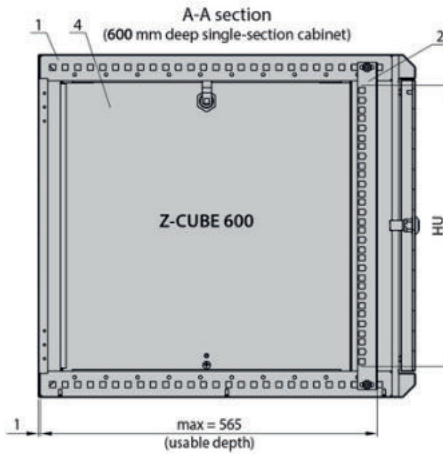
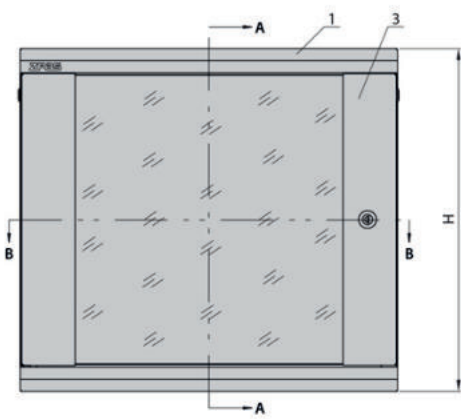
Delivery:

Z-Cube 600 or 450 one-piece closet:

Cabinet, without back wall, glazed door with a lock, 2 side parts with one castle each.

Z-Cube 150 rear frame for Z-Cube 450 cabinet: frame, 2 or 3 hinges, 1 lock.

19" Z-Cube Wall housing



DESIGN

Basic elements of the cabinet:

1. Cabinet's body
2. Mounting angle
3. Door
4. Side panel
5. Knock-out blanking plate 56 x 344 mm

Additional element:

6. Rear body 150 mm deep



Article Name	Wide (mm)	Depth(mm)	Height (mm)	Height units	Article number
Z-CUBE 600 Wall Housing	600	600	1033	21 U	WZ-8180-30-06-011
			900	18 U	WZ-8180-30-05-011
			767	15 U	WZ-8180-30-04-011
			634	12 U	WZ-8180-30-03-011
			546	10 U	WZ-8180-30-02-011
			368	6 U	WZ-8180-30-01-011
Z-CUBE 450 Wall Housing	600	450	1033	21 U	WZ-8180-20-06-011
			900	18 U	WZ-8180-20-05-011
			767	15 U	WZ-8180-20-04-011
			634	12 U	WZ-8180-20-03-011
			546	10 U	WZ-8180-20-02-011
			368	6 U	WZ-8180-20-01-011
Z-CUBE 150 Rear Frame, für Z-Cube 450	600	150	1033	21 U	WZ-8180-16-06-011
			900	18 U	WZ-8180-16-05-011
			767	15 U	WZ-8180-16-04-011
			634	12 U	WZ-8180-16-03-011
			546	10 U	WZ-8180-16-02-011
			368	6 U	WZ-8180-16-01-011
Z-CUBE Rear Wall	600		1033	21 U	WZ-8180-17-06-011
			900	18 U	WZ-8180-17-05-011
			767	15 U	WZ-8180-17-04-011
			634	12 U	WZ-8180-17-03-011
			546	10 U	WZ-8180-17-02-011
			368	6 U	WZ-8180-17-01-011
Brush bar Z-Box			244		WZ-8180-19-00-000