

## Technical Data:

- Zinc die casting housing
- 2x RJ45 ports
- Connection via LSA+ compatible cutting clamps
- Color code according to TIA/EIA 568A and B
- Conductor diameter AWG 22-24
- Optimal cable feed by rotating housing back
- Cable grabbing and shielding using screw clamps
- With a central panel 50x50mm
- Designable, in all common switch programs integrable
- Color pure white ral9010

## Applications:

As a telecommunications connection for application-neutral telecommunications cable systems of cabling class E or applications up to 1GBITS/S according to EN 60603-7-5, of course neutral certified.

## Dimensions:

HxBxT 70x70x38mm

## Characteristics:

Klasse E gem. DIN EN 50173 ISO/IEC 11801  
CAT.6 gem. EN 60603-7-5

## Electrical Data:

Contact resistance	30mΩ
Isolation resistance	500mΩ
Contact - Contact	1000V AC
Contact - mass	1500V AC
PoE suitability	PoE+ according to IEEE 802.3at
Socket contacts	
Split cycles	2500
Cutting terminals	
Repeatability	>50

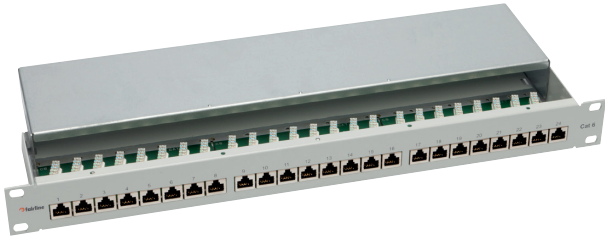
### Variants

### Dimensions in mm

### Article number

e-fairline 2x Data Socket CAT6, Central disc 50x50mm RAL9010	HxBxT 70x70x38mm	13301162EKR9010
--	------------------	-----------------

# Patch panel Cat 6 bis 250 MHz



## Technical Data:

- 19" Panel 1U
- 24x RJ45 ports shielded
- Connection via LSA+ compatible cutting clamps
- Color code according to TIA/EIA 568A and B
- Conductor diameter AWG 22-24
- cable grabbing with cable ties
- Colledge closure using contact clamps tinned
- PoE+ IEEE 802.3at
- steel sheet housing extendable
- Color light gray ral7035

## Applications

As a telecommunications connection distributor for application Neutral telecommunications cables of cabling class E or applications up to 1Gbits/s according to EN 60603-7-5, of course neutral certified.

## Dimensions:

HxBxT 45x483x139mm

## Characteristics:

Klasse E gem. DIN EN 50173 ISO/IEC 11801  
CAT.6 gem. EN 60603-7-5

## Electrical Data:

Contact resistance	20mΩ
Isolation resistance	500mΩ
Contact - mass	1500V AC 60Hz 1min
Electricity resilience	1.25a
PoE suitability	PoE+ according to IEEE 802.3at
Socket contacts Split cycles	2500
Cutting terminals Repeatability	>50

## Variants

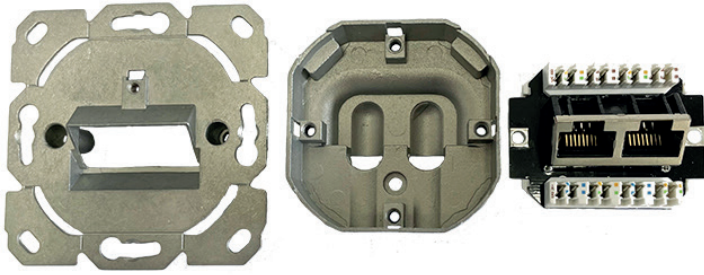
## Dimensions in mm

## Article number

e-fairline 19" 1U 24 port patch panel  
extendable Cat6 light gray ral7035

HxBxT 45x483x139mm

133021424-A



## Technical Data:

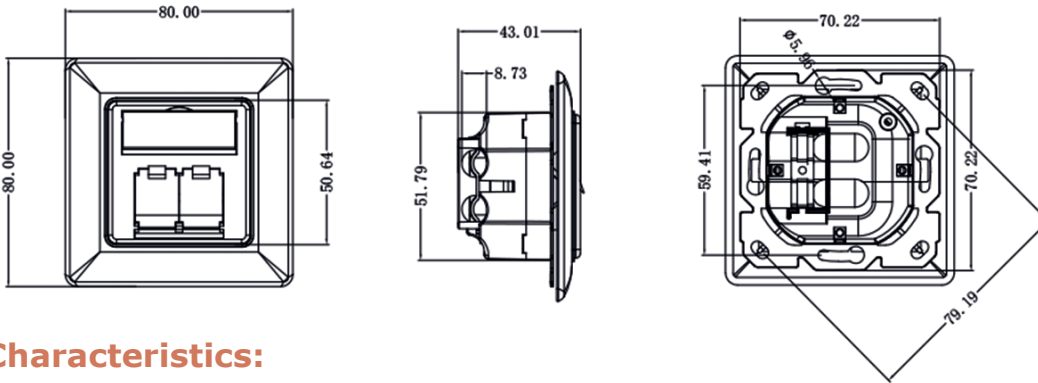
- Zinc die casting housing
- 2x RJ45 ports
- Connection via LSA+ compatible cutting clamps
- Color code according to TIA/EIA 568A and B
- Conductor diameter AWG 22-24
- Cable supply from behind (variable in 90 ° steps)
- cable grabbing and shielding using screw clamps
- With central plate 50x50mm and frame 80x80mm
- Designable, in all common switch programs integrable
- Color white RAL9003

## Applications:

As a telecommunications connection for application-neutral telecommunications cable systems in cabling class 6a or applications up to 10GBase-T according to ISO/IEC 11801 ED.2.2: 2011-06  
DIN EN 50173-1: 2011-09

## Dimensions:

HxBxT 80x80x43mm



## Characteristics:

Cat6A, Class EA, shielded, 500MHz

PoE per IEEE 802.3af, PoE+ per IEEE 802.3at

Temperature resistance

Assembly: -40 ° to +70 °  
installed: -10 ° to +60 °

## electrical Data:

Compliance with Class EA up to 500MHz

Contact resistance 20mΩ  
Isolation resistance 500mΩ

Weight: 18.5g

Contact - housing 1000V DC, 700V AC  
60Hz 1min  
Contacts phosphorus/ bronze/ 50μ gold  
Split cycles >750

### Variants

### Dimensions in mm

### Article number

e-fairline 2x Data Socket Cat6A  
incl. Central Disk 50x50mm RAL9003  
incl. Frame 80x80mm RAL 9003

HxBxT 80x80x43mm

13301132EKR9010

# Patch panel Cat 6A bis 500 MHz



## Technical Data:

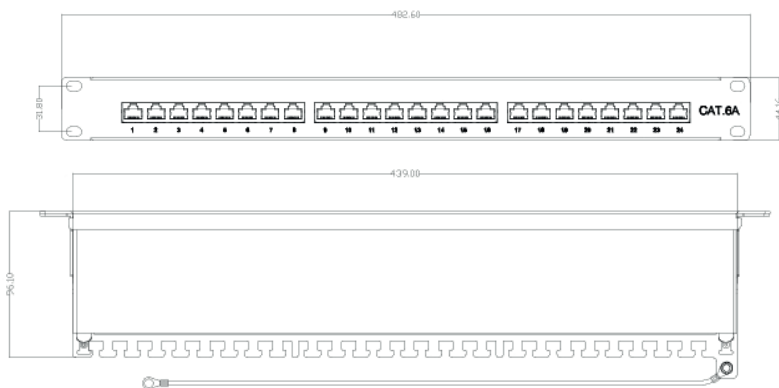
- 19" Panel 1U
- 24x RJ45 ports shielded
- Connection via LSA+ compatible cutting clamps
- Color code according to TIA/EIA 568A and B
- Conductor diameter AWG 22-24
- steel sheet metal housing painted
- Color light gray

## Applications:

As a telecommunications connection distributor for application Neutral telecommunications cable systems of cabling class 6a or applications up to 10GBase-T according to EN 60603-7-51.

## Dimensions:

HxBxT 44x482x96mm



## Characteristics:

Cat6<sub>A</sub>, Claas E<sub>A</sub>, shieldet, 500MHz

Compliant to Ansi/Tia/Eia-568 B.2-1  
ISO/IEC 11801: 2002 Class EA

## electrical Data:

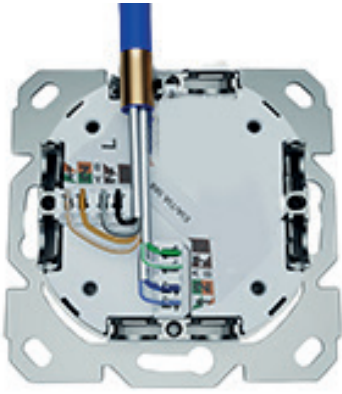
Contact resistance	100mΩ
Isolation resistance	1000mΩ
Contact - housing	750V AC 60Hz 1min
Split cycles	750
Temperature -resistant	
Storage:	-40 ° to +70 °
Operation:	-10 ° to +60 °

### Variants

### Dimensions in mm

### Article number

e-fairline 19" 1U 24 Port Patch panel Cat6A	lightgrey	HxBxT 44x482x96mm	133021324
---	-----------	-------------------	-----------



## Technical Data:

- Zinc die casting housing
- 1x RJ45 ports
- Connection via LSA+ compatible cutting clamps
- Color code according to TIA/EIA 568A and B
- Conductor diameter AWG 22-24
- Cable supply from behind (variable in 90 ° steps)
- cable grabbing and shielding using screw clamps
- With central plate 50x50mm and frame 80x80mm
- Designable, in all common switch programs integrable
- Color white RAL9003

## Applications:

As a telecommunications connection for application Neutral telecommunications cables of the Cabling class 6a or applications up to 10GBase-T according to ISO/IEC 11801 ED.2.2: 2011-06

## Dimensions:

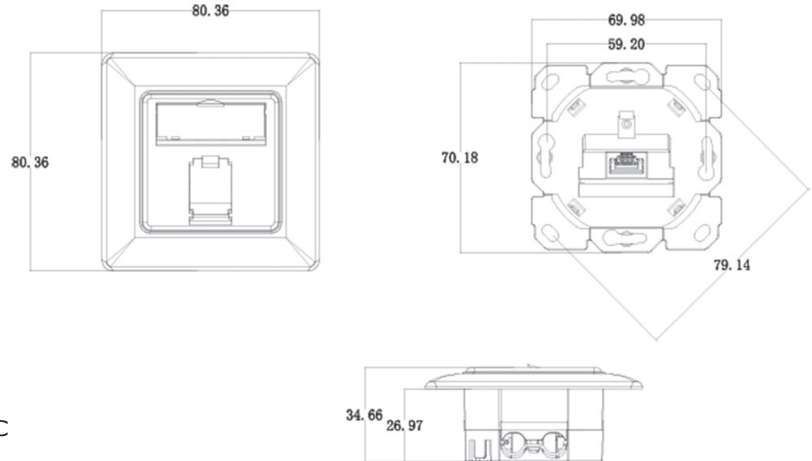
HxBxT 80x80x35mm

## Characteristics:

Cat6A, Claas EA, shieldet, 500MHz

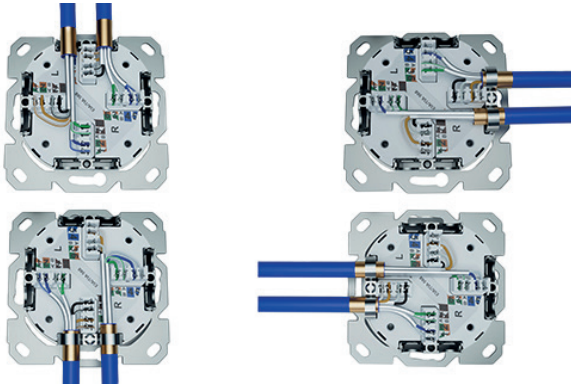
## electrical Data:

Contact resistance	20mΩ
Isolation resistance	500mΩ
Contact - housing	1000V DC, 700V AC
Contacts	60Hz 1min
Split cycles	phosphorus/ bronze/ 50μ gold
	>750
Temperature resistance	
Assembly:	-40 ° to +70 °
installed:	-10 ° to +60 °



Variants	Dimensions in mm	Article number
e-fairline 1x Data Socket Cat6A incl. Central Disk 50x50mm RAL9003 incl. Frame 80x80mm RAL 9003	HxBxT 80x80x35mm	13301151EKR9010

# Data Socket 2x Cat 6A bis 500 MHz



## Technical Data:

- Zinc die casting housing
- 2x RJ45 ports
- Connection via LSA+ compatible cutting clamps
- Color code according to TIA/EIA 568A and B
- Conductor diameter AWG 22-24
- Cable supply from behind (variable in 90 ° steps)
- cable grabbing and shielding using screw clamps
- With central plate 50x50mm and frame 80x80mm
- Designable, in all common switch programs integrable
- Color white RAL9003

## Applications:

As a telecommunications connection for application Neutral telecommunications cables of the Cabling class 6a or applications up to 10GBase-T according to ISO/IEC 11801 ED.2.2: 2011-06

## Dimensions:

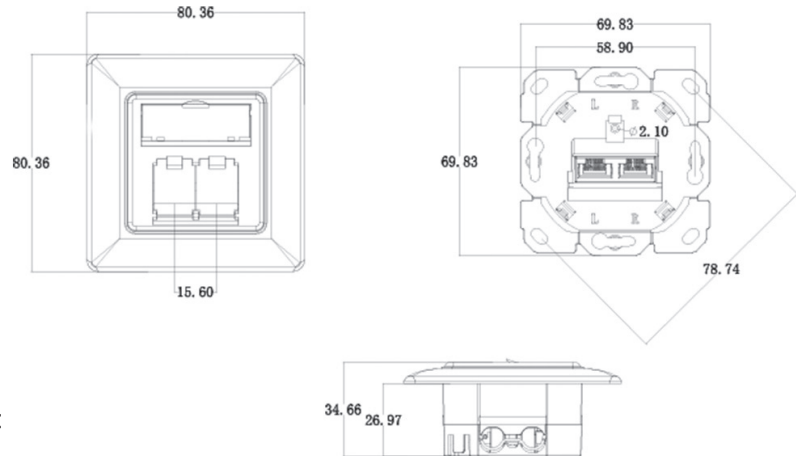
HxBxT 80x80x35mm

## Characteristics:

Cat6A, Claas EA, shieldet, 500MHz

## electrical Data:

Contact resistance	20mΩ
Isolation resistance	500mΩ
Contact - housing	1000V DC, 700V AC
Contacts	60Hz 1min phosphorus/ bronze/ 50μ gold
Split cycles	>750
Temperature resistance	
Assembly:	-40 ° to +70 °
installed:	-10 ° to +60 °



## Variants

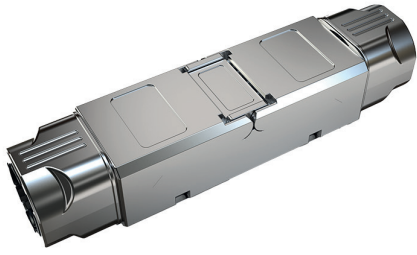
## Dimensions in mm

## Article number

e-fairline 2x Data Socket Cat6A  
incl. Central Disk 50x50mm RAL9003  
incl. Frame 80x80mm RAL 9003

HxBxT 80x80x35mm

13301152EKR9010



## Technical Data:

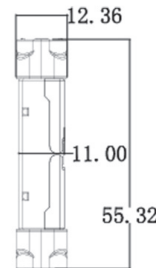
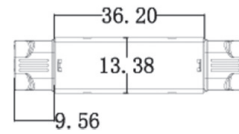
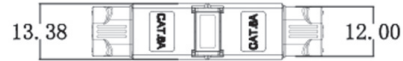
- Zinc die-cast housing
- Connection via cable manager insulation displacement terminals
- Color code according to TIA/EIA 568A and B
- Conductor diameter AWG 22-26
- 360° shielding
- Cable support using cable ties

Cat6A, shielded up to 10GBase-T,  
500MHz ISO/IEC 11801 Class EA  
Adm 1.0 & 2.0  
PoE IEEE 802.3af, PoE+ IEEE802.3at

## Applications:

S/FTP cable connector of category 6A according to EN 60603-7-51 for extending or repairing existing installation routes. Correct 1:1 through-cabling guaranteed by routing on the cable managers. Re-openable metallic housing.

## Dimensions:



## Electrical Data:

Contact resistance	<20mΩ
Insulation resistance	>500MΩ
Dielectric strength	
Contact - Contact	>1000V DC/AC 60Hz, 1min
PoE suitability according to PoE+	IEEE 802.3at
Mating cycles	>200

### Variants

### Dimensions in mm

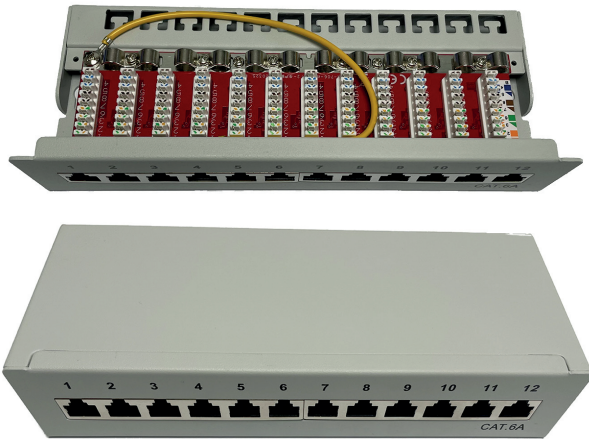
### Article number

e-fairline Cable connector for S/FTP simplex Dataline

HxBxT 13,4x12,4x55,4mm

1330126500

# Mini Patch panel Cat6A



## Technical Data:

- Wall & table distributor
- 8x or 12x RJ45 ports shielded
- Connection via LSA+ compatible cutting clamps
- Color code according to TIA/EIA 568A and B
- Conductor diameter AWG 22-24
- cable grabbing with cable ties
- steel sheet metal housing painted
- Color gray RAL 7035

## Applications:

As a telecommunications connection distributor for application Neutral telecommunications cable systems of the EA cabling class or applications up to 1Gbits/s according to EN 60603-7-5, of course neutral certified.

ISO/IEC 11801: 2002 Class EA  
Cat6a, Class EA, shielded, 500MHz  
Compliance with Class EA up to 500MHz

## Dimensions:

HxBxT 22x220x97mm 8Port  
HxBxT 44x239x109mm 12Port

## electrical Data:

Contact resistance: 100mΩ  
Isolation resistance: 1000mΩ 500 V DC  
Dielectric strength: 750 V AC RMS 60 Hz, 1 min  
Cat.6a permanent link: compliant with Ansi/tia/eia-568 B.2-1  
ISO/IEC 11801: 2002 class EA  
Nominal voltage: 125 V AC RMS  
Split cycles: >750

Temperature resistance

Assembly: -40 ° to +70 °  
installed: -10 ° to +60 °

Variants	Dimensions in mm	Article number
e-fairline Wall mounting 8 Port Patch panel Cat6A gray	HxBxT 44x158x86mm	133085005
e-fairline Wall mounting 12 Port Patch panel Cat6A gray	HxBxT 44x218x86mm	133085006